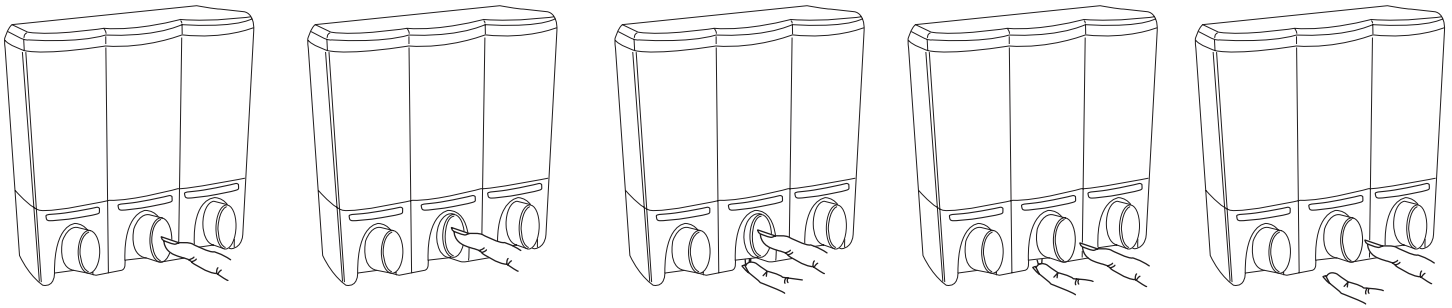


## REPLACEMENT PUMP INSTRUCTIONS

1. Slide ClearChoice™ Dispenser container up and off the bracket that is on the wall.
2. Slowly pry off face plate.
3. Pull off the push button.
4. Pry the bottom retainer from liquid bottle exposing the pump. (you might need a screw driver to assist you)
5. Unscrew the pump from the liquid container.
6. Remove the valve, from the neck of the liquid container and replace it with the new valve.
7. Re-assemble, first put on the bottom retainer, then button, and faceplate.

## HOW THE DISPENSER PUMP WORKS

There is a valve located in the bottom of the bottle (chamber). It must be there for the system to work. Do not remove it! When the pump button is pushed, this valve prevents the liquid in the pump, from going back up into the bottle. Without this valve, liquid will not flow properly.



### **PRIMING THE PUMP**

**NOTE:** No liquid will come out of The Dispenser until the pump has been primed. Once it is primed, it will stay primed until the liquid runs out. If the chambers become empty, you must re-prime the pump.

1. Push the pump button in.
2. While holding the pump button in...
3. Place your finger over the spout of the pump to block airflow up into the pump. (This creates a partial vacuum in the pump chamber, when the button is released.)
4. Keep your finger over the spout and release the pump button.
5. Remove your finger from the spout and repeat these steps until you have a continuous flow of liquid. (This may take several cycles, especially if you are using very thick liquids.)